



**XAL**  
Pull Ring



**XAS**  
Break Glass

**Class I, Div. 1 & 2, Groups C,D**  
**Class I, Zones 1 & 2, Groups IIB, IIA**  
**Class II, Div. 1 & 2, Groups E,F,G**  
**Class III**  
**NEMA 7(C,D) 9(E,F,G)**

**FEATURES-SPECIFICATIONS**

**Applications**

- Hazardous areas due to the presence of flammable gases or vapors, combustible dusts or easily ignitable fibers or flyings
- Installation at petroleum refineries, chemical and petrochemical plants, storage areas, and other processing facilities where hazardous substances are handled or stored
- Areas where emergency control of fire alarm or signal circuits is required

**Features**

- Enclosure is made of copper free aluminum alloy
- Conduit openings are 3/4" NPT feed through
- Red, textured powder epoxy paint finish is standard on box and cover and provides high visibility for alarm station
- XAL-458 has (2) normally open and (2) normally closed contacts.
- Bilingual nameplates included per CSA requirement
- Internal ground screw is standard

**Operation**

**XAL:** The alarm station is activated by lifting the front cover and pulling down ring. This quick, easy to use two-step process prevents unintentional operation. Operator is reset by depressing shaft and returning plate to original position.

**XAL Series:**

- Listed - File E50498
- Listed - CE69
- Certified - File LR31085
- Listed - California State Fire Marshall #7150-1439:100

**XAS:** Breaking glass with hammer provided activates alarm. Reset by replacing glass.

Replacement glass catalog number YOKK-15214.

Replacement hammer and chain **KIT-232**.

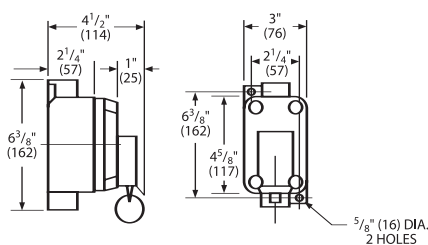
**XAS Series:**

- Listed - File E50498
- Certified - File LR31085  
See files for details or call Killark.

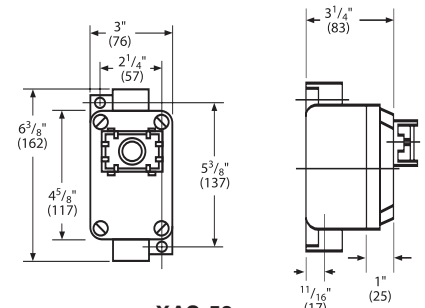
XAL FIRE ALARM STATION		
CATALOG NUMBER	OPERATION TYPE	CONTACT BLOCKS
<b>XAL-53</b>	Pull ring	(1) NO/NC
<b>XAL-458</b>	Pull ring	(2) NO/NC
<b>XAS-53</b>	Break glass	(1) NO/NC

CONTACT BLOCK RATING								
		AC				DC		
VOLTS	MAKE AMPERES	VA	BREAK AMPERES	VA	CONTINUOUS CARRYING AMPERES	VOLTS	MAKE BREAK	CONTINUOUS CARRYING AMPERES
120	60	7200	6	720	10	125	1.1	10
240	30	7200	3	720	10	250	0.55	10
480	15	7200	1.5	720	10	600	0.2	10
600	12	7200	1.2	720	10			

**Dimensions**



**XAL-53**



**XAS-53**

Note: On XAL-458 the overall depth is 5-9/16"



C