

Plug

Connector

- 100 Amp 600VAC/250VDC; 50-400 Hertz  
 NEMA 3, 4, 4X, ①
- **PLUGS ONLY**②:  
 Class I, Div. 1 & 2, Groups B,C,D; NEMA 7 B,C,D  
 Class I, Zones 1 & 2, IIB+H<sub>2</sub>, IIA  
 Class II, Div. 1 & 2, Groups F & G; NEMA 9 F,G; Class III

**Wire Range**

Regular Stranding: #4 - #2

Extra flex: #4 - #2

UL File No. E10757 SF Certified File No. LR111846



E

C

Receptacle

**FEATURES-SPECIFICATIONS**

100 AMP PLUGS & CONNECTORS				
GROUND STYLE	CIRCUIT	GROMMET RANGE	CATALOG NUMBER	
			PLUG	CONNECTOR
Style I	2W2P	.88 - 1.68 IN	VP10277	VPR10257
	3W3P	.88 - 1.68 IN	VP10377	VPR10357
	4W4P	.88 - 1.68 IN	VP10477	VPR10457
Style II	2W3P	.88 - 1.68 IN	VP10387	VPR10367
	3W4P	.88 - 1.68 IN	VP10487	VPR10467

MODIFICATIONS*	
CATALOG NUMBER	DESCRIPTION
S39	Reverse service for receptacles, plugs & connectors
S37	Polarization for receptacles, plugs & connectors

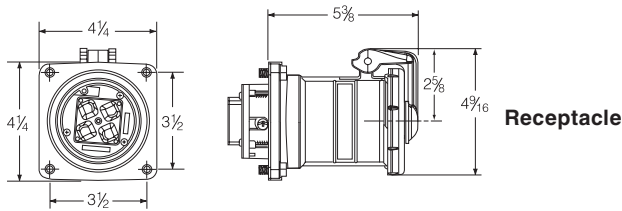
\*See page PR5 for more information on these options.

100 AMP RECEPTACLES & BACK BOXES				
GROUND STYLE	CIRCUIT	CATALOG NUMBER		
		E ③ TYPE	C ③ TYPE	RECEPTACLE ONLY
Style I	2W2P	VR1021E5	VR1021C5	VR1021
	3W3P	VR1031E5	VR1031C5	VR1031
	4W4P	VR1041E5	VR1041C5	VR1041
Style II	2W3P	VR1032E5	VR1032C5	VR1032
	3W4P	VR1042E5	VR1042C5	VR1042
Splice box only w/adaptor④		VJ57	VJC57	Angle adaptor only VJA100

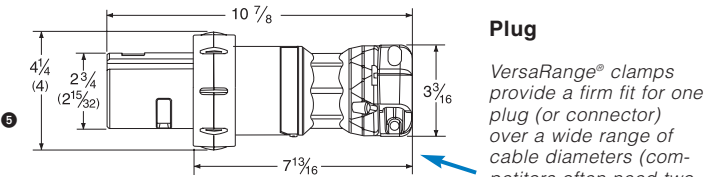
③ 100 Amp Back Boxes are available in 1", 1-1/4", 1-1/2" & 2" conduit sizes. Size listed above is 1-1/2". For other available sizes, change the BOLD "5" in either the assembly or box only number as follows:

3=1", 4=1-1/4", 5=1-1/2", 6=2". Assembly catalog numbers are listed for ease of ordering or specification and devices are shipped as components.

④ 100 Amp Boxes & Adapters also fit 60 Amp receptacles. Adapter only can be used to attach receptacle at an angle to a standard sheet metal box.

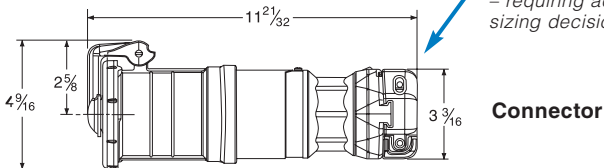


Receptacle



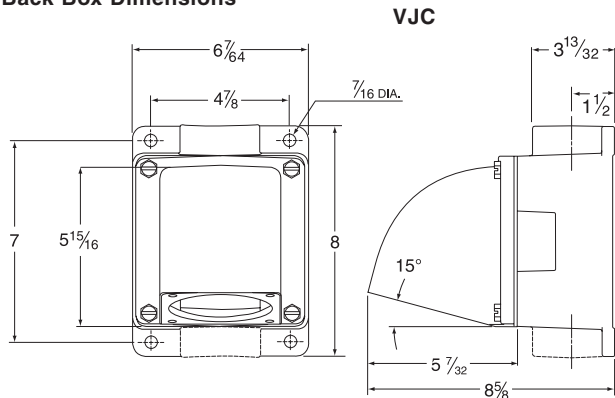
Plug

VersaRange® clamps provide a firm fit for one plug (or connector) over a wide range of cable diameters (competitors often need two - requiring additional sizing decisions).



Connector

**Back Box Dimensions**



Feed through style shown

① Components are interchangeable & UL classified with other UL1686 configured devices (when installed in accordance with instructions furnished with device). Assemblies containing components from other manufacturers would have the NEMA type rating of the lowest rated device.

② Plugs hazardous suitable when mated with properly rated receptacles configured to use UL1686 type plugs, such as VersaMate VBQ.

⑤ Dimensions in ( ) are 3 pole devices; balance are 4 pole.